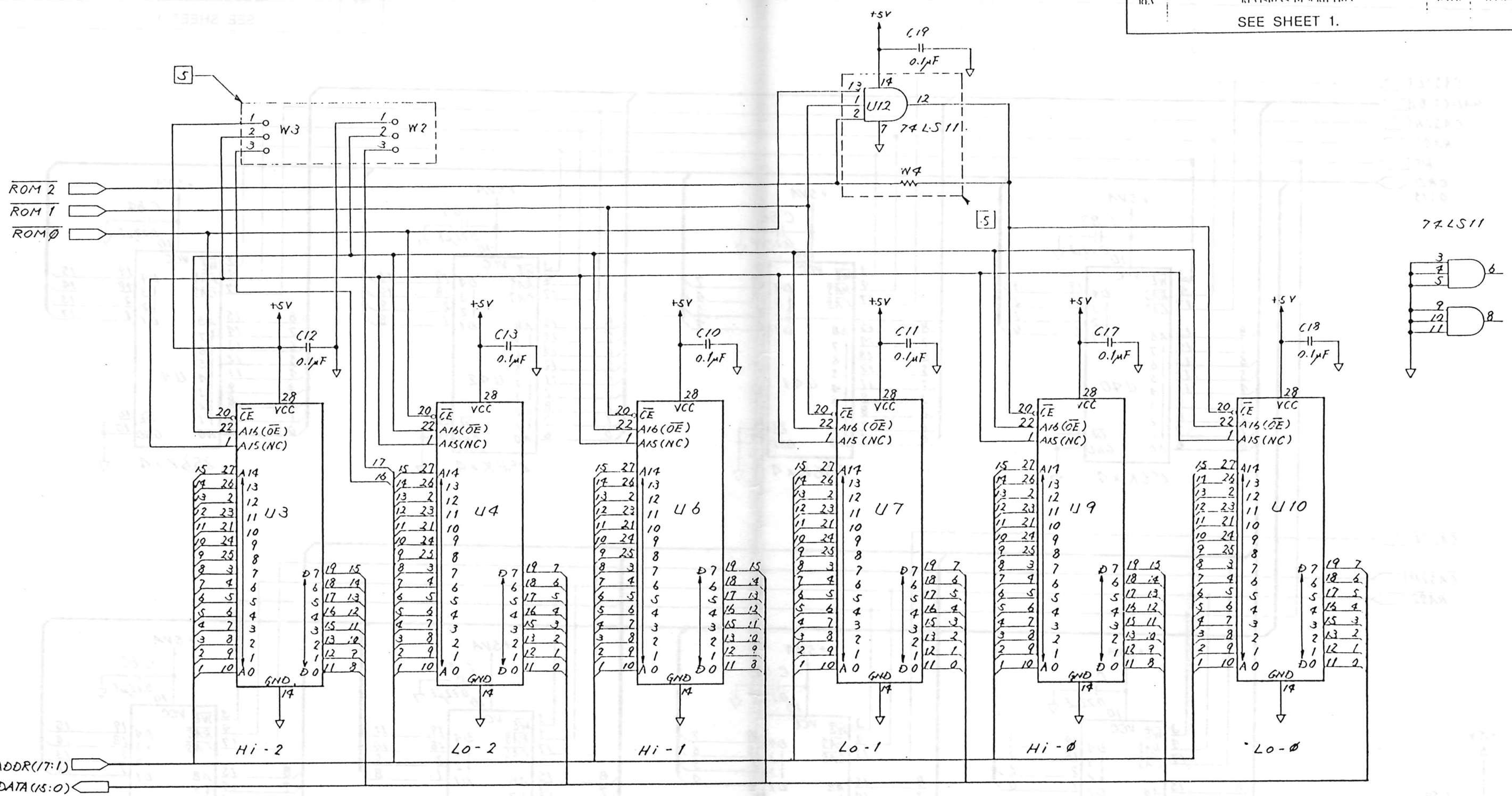




MEGA 1

OKTOBER 1989



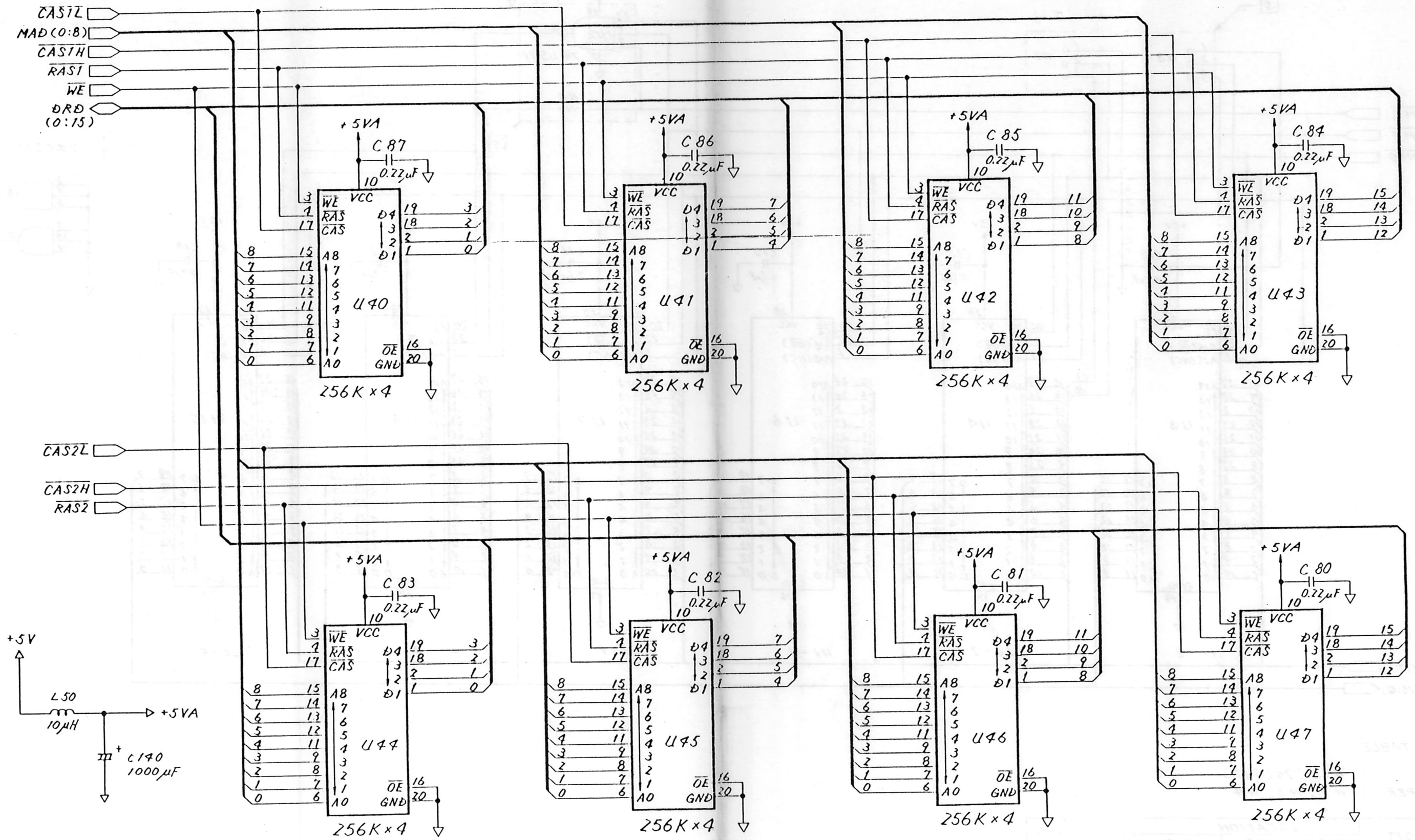
[5] ROM TABLE

IC ; U12 (74LS11)
 JUMPER ; W2, W3, W4

ROM	LOCATION			
	W2	W3	W4	U12
256K	1-2	1-2	JUMPER	NO USE
1M x 2	2-3	2-3	HON	USE
1M x 6	2-3	2-3	JUMPER	NO USE

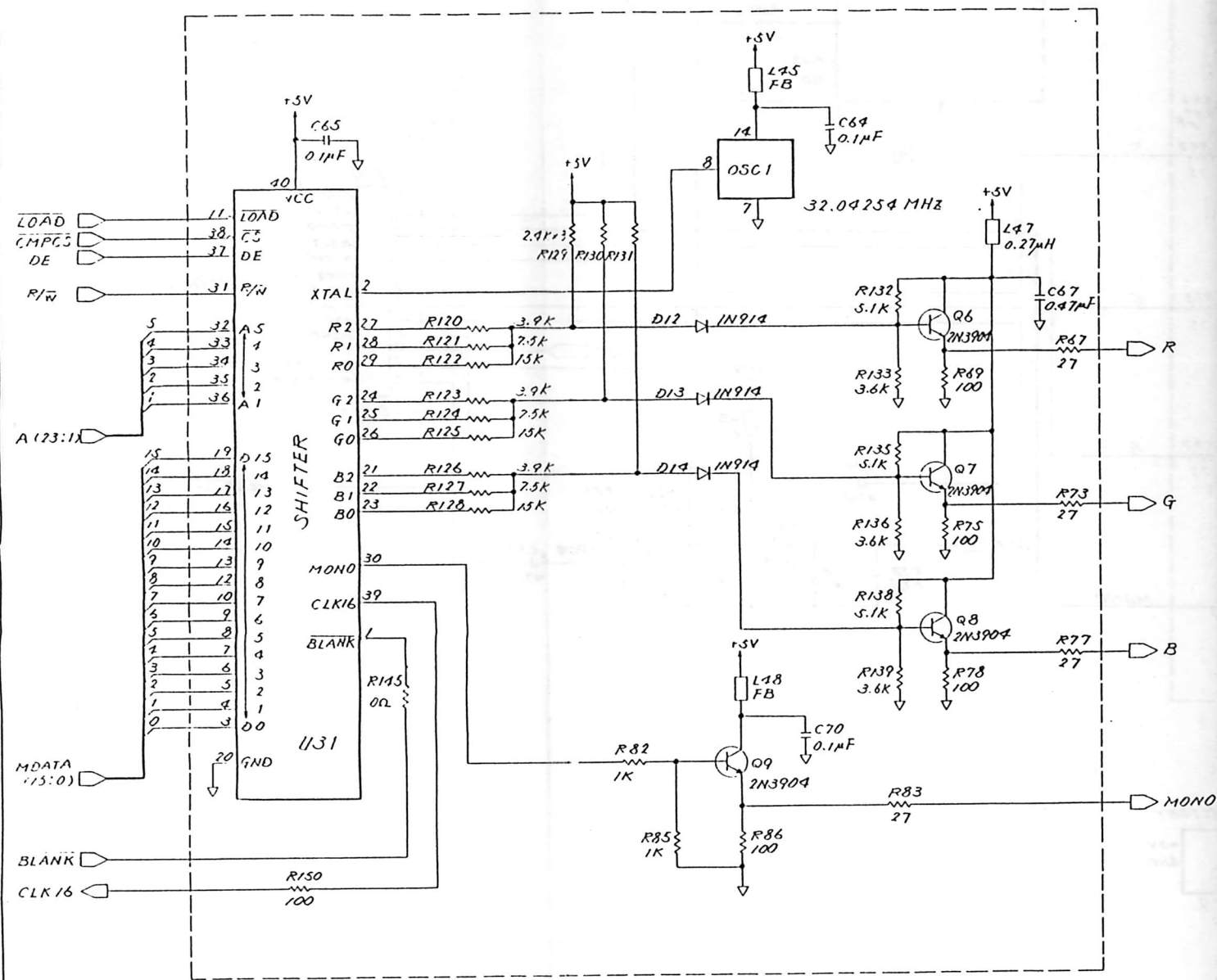
NOTES - UNLESS OTHERWISE SPECIFIED :

USED ON	DRAWN BY N. H. ...	DATE 6-1-88	ATARI (JAPAN) CORPORATION TITLE SCHEMATIC DIAGRAM MEGA 1 SIZE DRAWING NO C 103276 SCALE NONE SHEET 5 of 6
NEXT ASSY	CHECKED K. K. ...	DATE 6-13-88	
MATERIAL	APPROVED S. ...	DATE 6-13-88	REV A
FINISH			

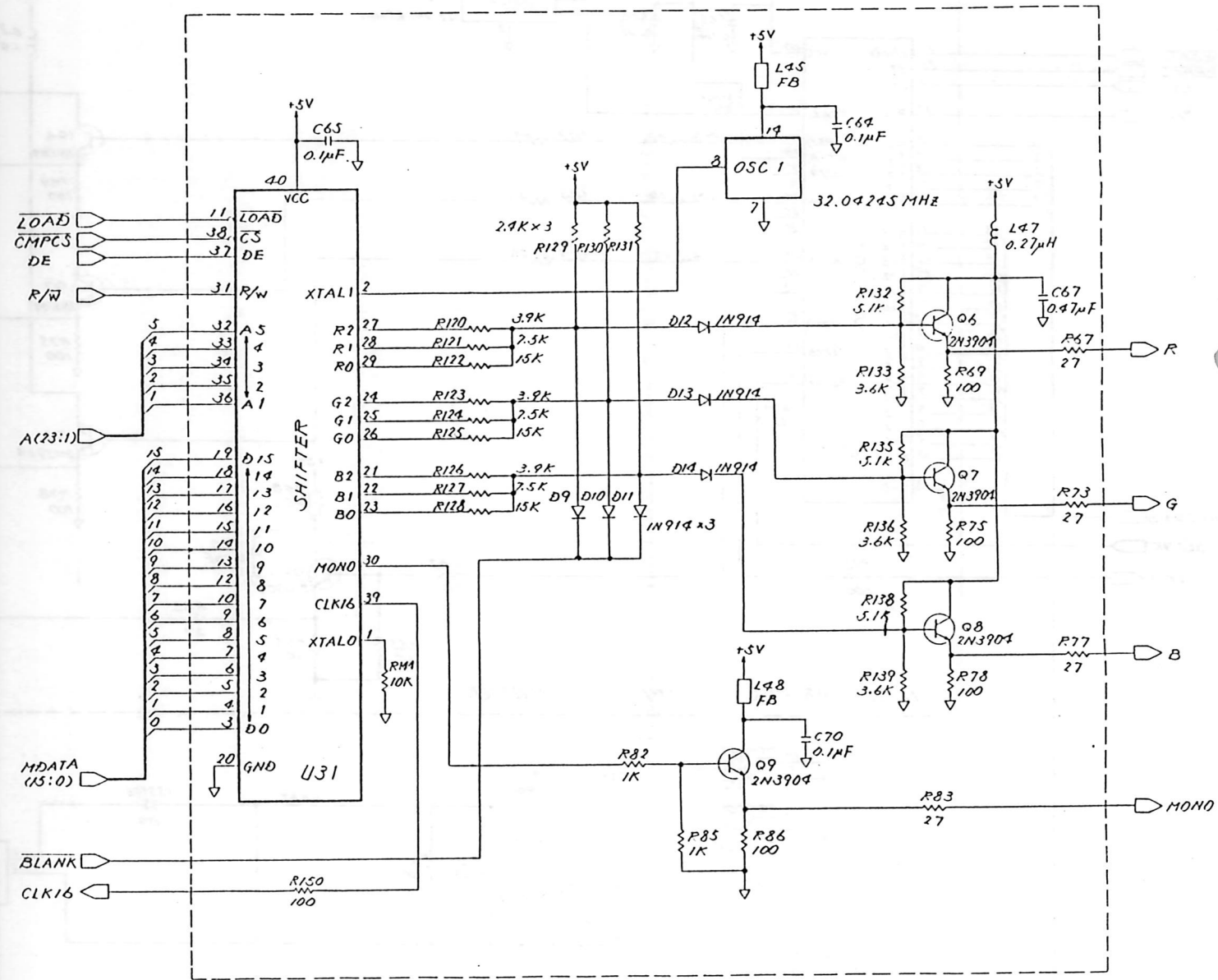


NOTES—UNLESS OTHERWISE SPECIFIED:

USED BY	DRAWN BY	DATE	ATARI (JAPAN) CORPORATION
NEXT ASSY	E. KURAMOCHI	6-1-88	
MATERIAL	CHECKED	DATE	ATARI
FINISH	K. Kitagawa	6/1/88	
	ENGINEER	DATE	TITLE
	T. Kikuchi	6-13-88	SCHEMATIC DIAGRAM
	APPROVED	DATE	MEGA 1
			SIZE DRAWING NO
			C C103276
			REV
			A
			SCALE
			NONE
			SHEET
			6 OF 6

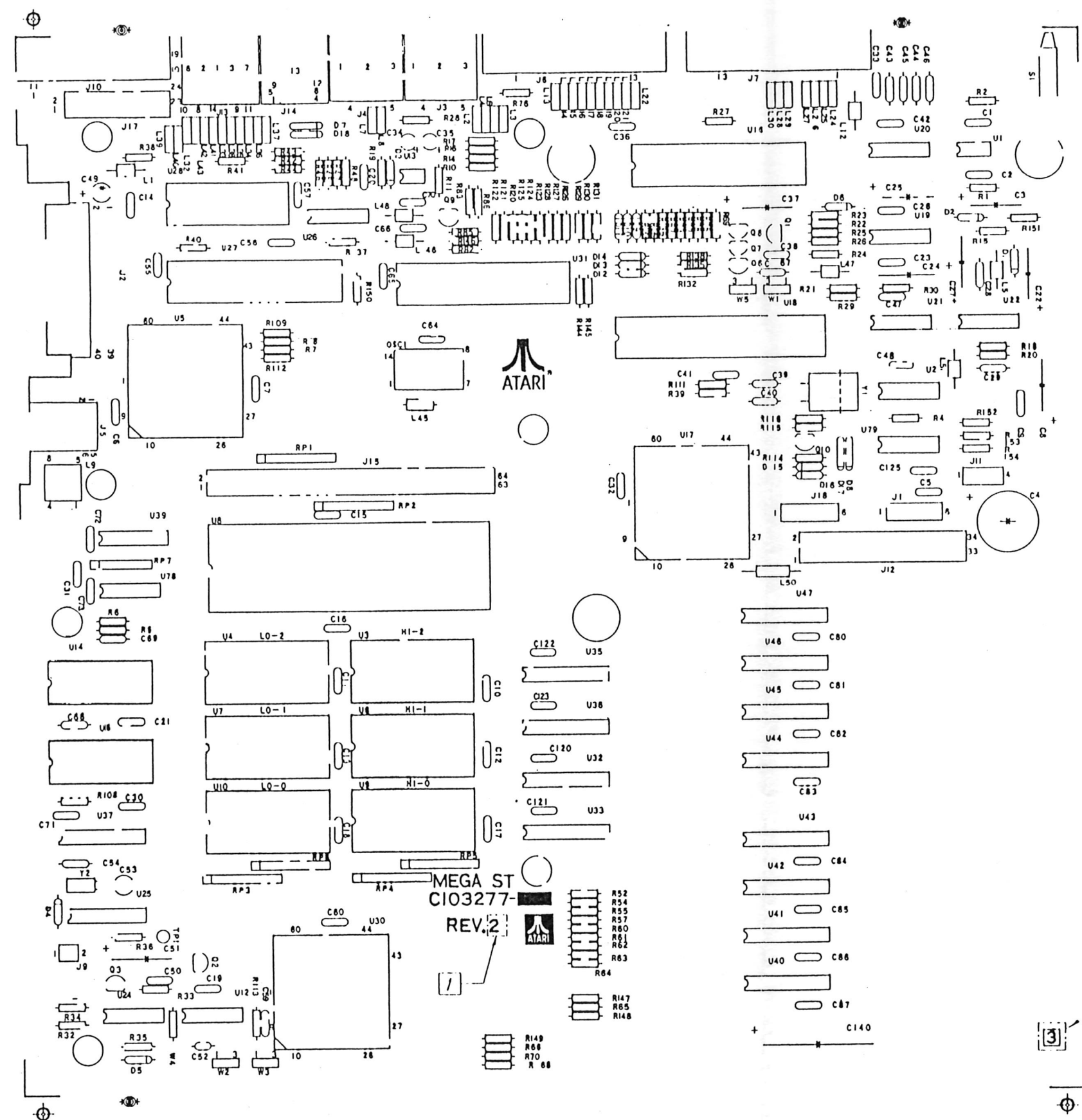


P/N C070713 FULL CUSTOM W/O D TO A CONVERTER



P/N C025914 GATE ARRAY W/O D TO A CONVERTER

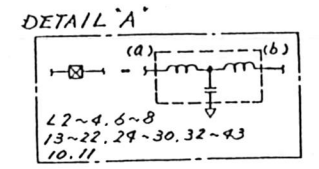
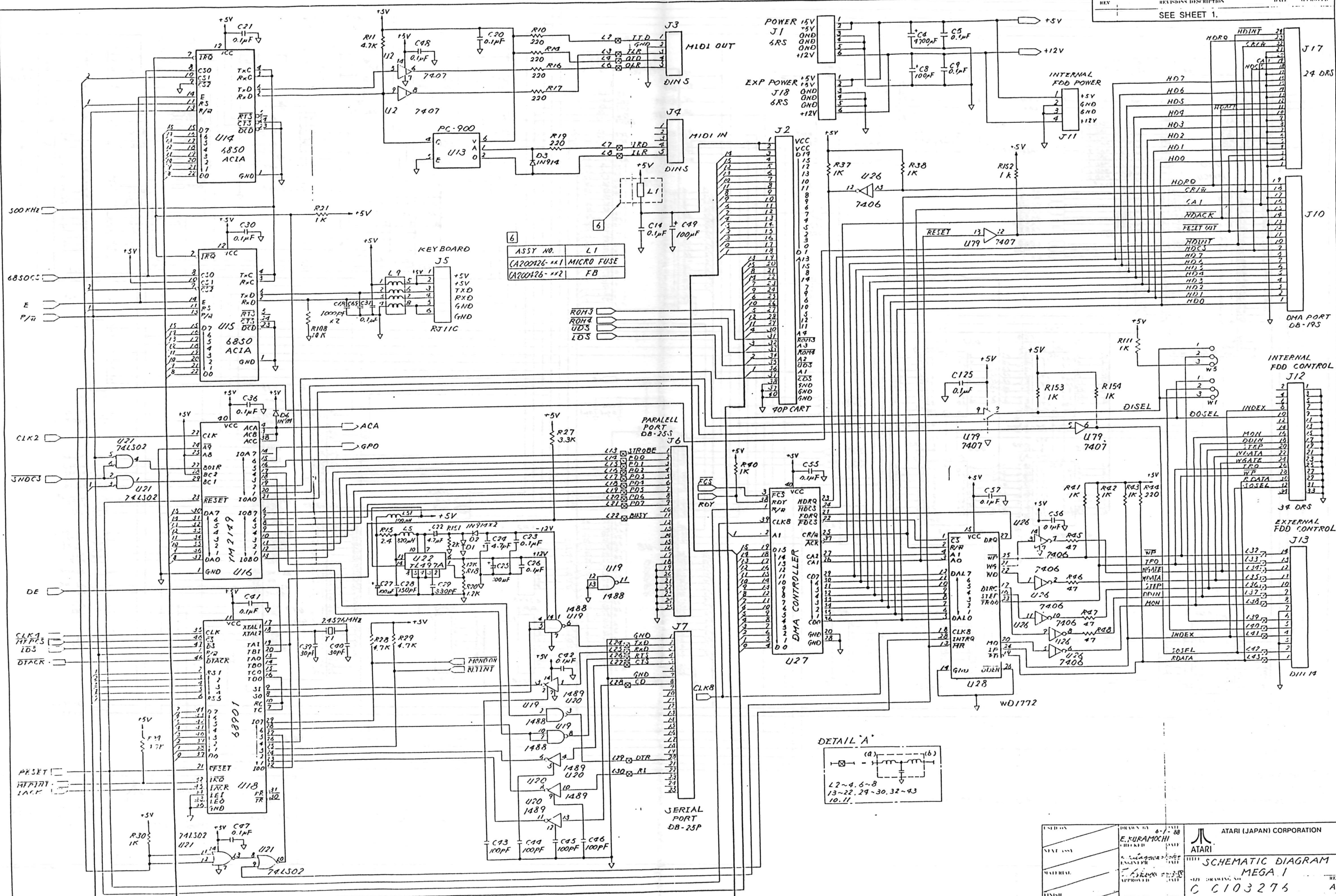
DESIGN	DATE	ATARI (JAPAN) CORPORATION ATARI
DRAWN BY E. KURAMACHI	6-1-88	
NEXT ASSY	DATE	SCHEMATIC DIAGRAM MEGA 1
ENGINEER	DATE	
MATERIAL	DATE	SIZE DRAWING NO. C C103276
FINISH	DATE	REV. A
		SCALE NONE SHEET 2 OF 6

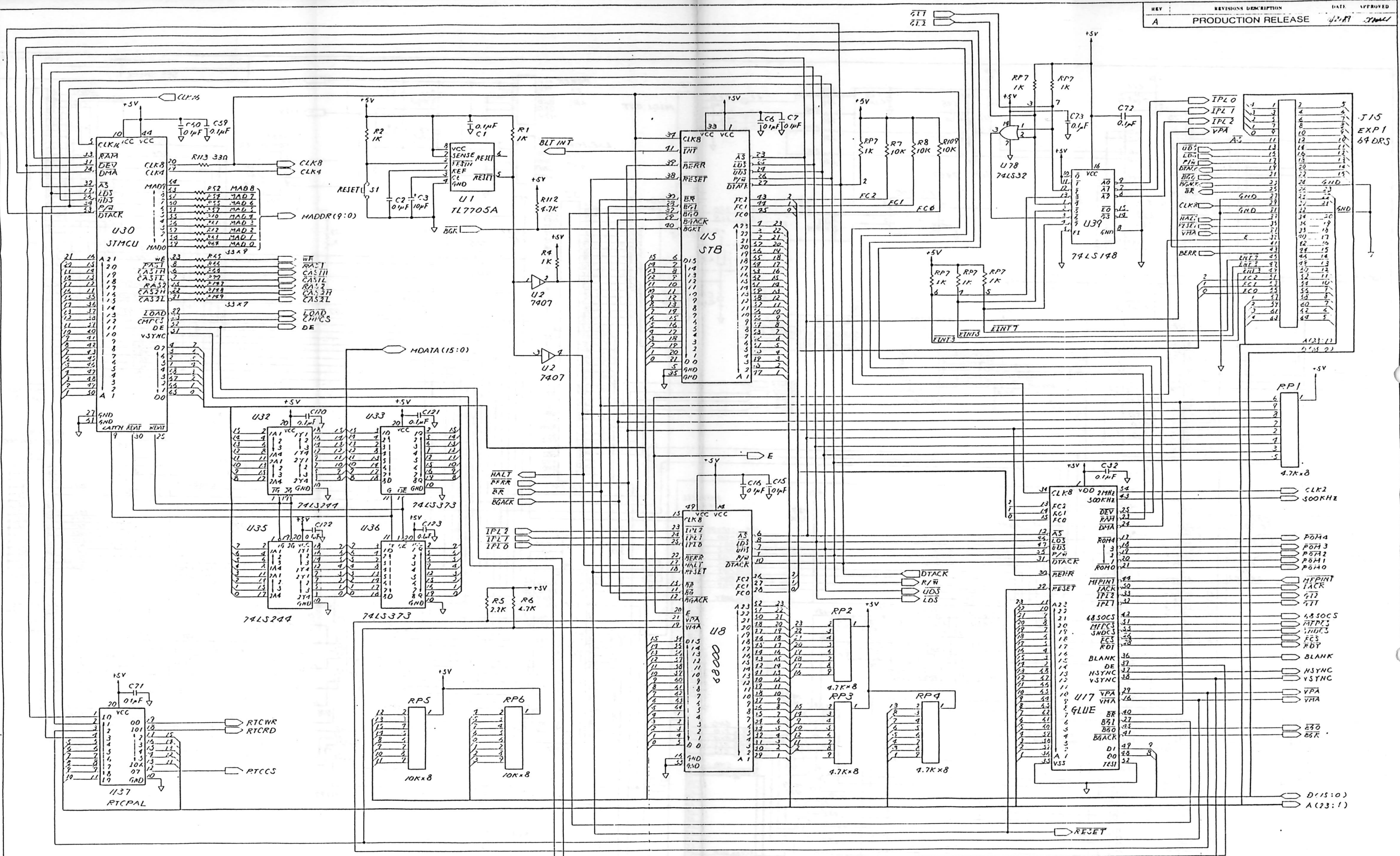


SILK PRINT

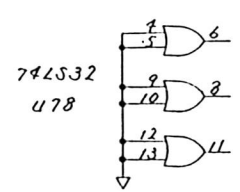
NOTES—UNLESS OTHERWISE SPECIFIED:

TOLERANCES		DRAWN BY	DATE	ATARI JAPAN CORPORATION	
UNDER 30	±0.1	<i>N. Namba</i>	10/14/88	ATARI	
30 THRU 300	±0.2	CHECKED	DATE	TITLE	
OVER 300	±0.4	ENGINEER	DATE	PCB MEGA 1	
MATERIAL		APPROVED	DATE	SIZE	DRAWING NO
				C	C103277
NEXT ASSY	USED ON	APPROVED	DATE	SCALE	REV
				NONE	A
APPLICATION				SCALE	SHEET 2 OF 6





2. ROM TABLE: SEE SHEET 5 OF 5.
 3. NOT REQUIRED FOR ASSY NO. CA200926-XX1.
 3. PUT JUMPER WIRE FROM (a) TO (b) (IN DETAIL A' L2~4, 5~8, 13~22, 24~30, 32~43)
 ASSY NO. CA200926-XX2.
 2. NOISE FILTER: SEE DETAIL 1.
 1. RESISTORS ARE MEASURED IN OHMS.
 NOTES - UNLESS OTHERWISE SPECIFIED:



USED BY MEGA 1 NEXT ASSY CA200926-XX MATERIAL	DRAWN BY E. KURAMIOCHI CHECKED 1/10/81 ENGINEER 6-13-81 APPROVED	DATE 6-1-88 DATE 6-13-88 DATE	ATARI (JAPAN) CORPORATION ATARI TITLE SCHEMATIC DIAGRAM PART NO. MEGA 1 C C 103 276 REV A DATE NONE PAGE 1 OF 6
---	---	---	---